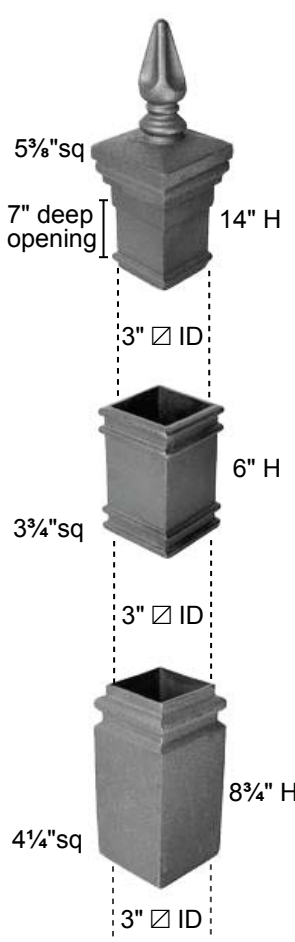




Architectural Iron Designs, Inc.

Your single source for UNIQUE & QUALITY architectural metals

Cast Iron Posts



9301 (top)
14"H x 5 3/8"W

9302 (spacer)
6"H x 3 3/4"W

9303 (base)
8 3/4"H x 4 1/4"W



6657 (top)
7"H x 3 3/8"W

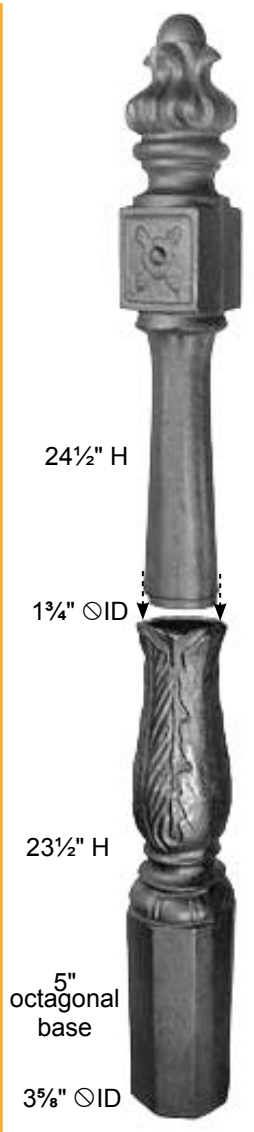
6000-X (1 pc)
27"H x 6"W x 2 1/2" ID



pineapple
9800
45"H x 6 1/2"W



victorian
9113-X
47"H x 4 1/2"W



raphael
9115-X
48"H x 5"W

14 mm ■ USA = 1/2" - 9/16" unless otherwise noted

Provincial



QC-512
47 3/4" H



QC-505
39 1/2" H x 8 3/8" W



QC-504
39 1/2" H x 5 1/2" W



QC-506
39 1/2" H x 5" W



QC-503
39 1/2" H x 5 3/8" W



QC-502
39 1/2" H



QC-501
39 1/2" H

Chateau



QC-612
47 3/4" H



QC-601
39 1/2" H



QC-602
39 1/2" H



QC-17/05
47 3/4" H



QC-14/01
39 1/2" H



QC-14/02
39 1/2" H



QC-13/07
39 1/2" H



QC-16/20
47 3/4" H



QC-13/11
39 1/2" H



QC-13/12
39 1/2" H



QC-16/25
47 3/4" H



QC-11/03
39 1/2" H



QC-11/04
39 1/2" H



QC-13/08
39 1/2" H

classic spindle

1" ● solid ends
89-B
32¾"H x 2¼"W

1" ● solid ends
89-BXL
36"H x 2¼"W

½" ● solid ends
89-L
35¾"H x 1¼"W

1¼" ■ ends
7618
36½"H x 1¼"W

top ⅞" ●
base 1½" ■
8304
35⅝"H x 2⅝"W

top 1¾" ●
base 2¾" ●
9201
34½"H x 3¼"W

top 41° pitch ●
base 2¾" ●
9202
34½"H x 3¼"W

⅝" ends
9640
36"H x 4½"W

Elegant Doric

30° pitch
9644
29"H x 3½"W

9643
28½"H x 3½"W

Hammered effect

9958
15½"H

9956
24"H

9957
21"H

9955
28"H

TOP - 1¼" ■
FOOT - 1" ■

Sculpted Leaf

9970
26¼"H x 4¾"W

24"

Broad Ornate Leg

9969
17"H x 10¾"W

Queen Anne

9931-L
22½"H

9932-L
28¾"H

9930-L
15"H

TOP - 1¼" ■ beveled
FOOT - 1" ■

Gothic

9940-L
16½"H

9941-L
22"H

9942-L
27"H

TOP - 90° triangular inset slot which accepts ¾"H x 1¼"W x ¾"D
FOOT - 1⅝" ■ pad

Picket Castings

Fits over 1/2"



19

15 1/4"H x 7 1/2"W



76

16 3/4"H x 7 3/4"W



8332

14 3/4"H x 5 3/4"W



146

12 1/2"H x 6 1/2"W



147

18"H x 8 5/8"W



8333

17"H x 6 3/4"W



33

15"H x 8"W



641

17 5/8"H x 7 3/4"W



679

4"H x 4"W



147-XS

4"H x 5 1/4"W

Panels

Crown Rose



75

27"H x 7 3/4"W

Classic



87-A

26 3/4"H x 8"W

Vineyard



17

29"H x 7 1/2"W

Contemporary



685-XS

20 1/4"H x 13 1/2"W



685

22 1/2"H x 10"W

S scroll panels



9601 (SF)

32"H x 6 3/4"W



696 (SF)

31 1/2"H x 9"W



9627

26 1/2"H x 14"W



648

15 1/4"H x 27 1/2"W

Contemporary Spanish



88

30 3/4" H x 8 1/4" W



88-XL

35" H x 9 1/2" W

European Renaissance



89

27 3/4" H x 6" W



87

29 1/2" H x 7 1/4" W

35° pitch

cored hole for 3/4" tubing

83

36 1/2" H x 11" W

picket fence

fabricated panels overlap to make about one foot of railing

3/4" tubing slips through cored hole for sturdy and easy installation. (Starter tubing does not come with casting)

Rose



78-B

14" H x 14" W

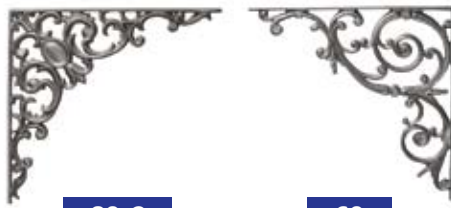
Curly Oak



25

12 3/4" H x 12 3/4" W

Pontalba



80-C

15 1/2" H x 15 1/2" W

60

17" H x 17" W

Bell Flower



40

9 1/2" H x 17 1/4" W



QC-905

3/4" x 1/4"

12" H x 43" W



QC-904

3/4" x 1/4"

9" H x 29 1/2" W



QC-903

3/4" x 1/4"

9" H x 31 1/2" W



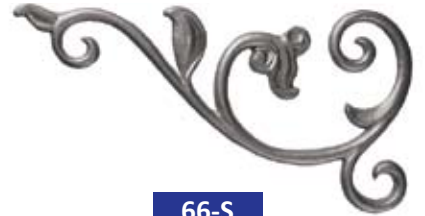
9140

9" H x 20 1/2" W



66

8" H x 12" W



66-S

6 1/2" H x 13" W



1348

5" H x 31 1/2" W



7314

3 3/4" H x 14 3/8" W



1345

5" H x 33 3/4" W



9088

4" H x 29 3/8" W



A-3

4 1/8" H x 31 3/8" W



656-S

5¼"H x 3⅞"W
(fits over ½")



656-HS

5⅝"H x 3⅞"W
(fits over ⅝")



656-YS

5⅝"H x 3⅞"W
(fits over ¾")



656-Y

7"H x 4¼"W
(fits over ¾")



659

5"H x 3¼"W
(fits over ½")



659-Y

6¼"H x 4"W
(fits over ¾")



659-H

5"H x 3¼"W
(fits over ¾")



649

4¾"H x 2¼"W
(fits over ½")



649-H

4¾"H x 2⅛"W
(fits over ⅝")



649-Y

5½"H x 2¾"W
(fits over ¾")



649-Z

6⅝"H x 3⅜"W
(fits over 1")



1402

4⅝"H x 2⅞"W
(fits over 2")



1403

6"H x 3⅝"W
(fits over 3")



1404

7¼"H x 4⅝"W
(fits over 4")



8832

4⅝"H x 2⅝"W
(fits over ½")



8832-H

5"H x 3"W
(fits over ⅝")



8832-Y

6⅝"H x 3⅝"W
(fits over ¾")



8832-Z

7⅝"H x 4½"W
(fits over 1")



9-X

4¼"H x 1"W
(fits over ½")



9-XS-5/8

4⅝"H x 1⅛"W
(fits over ⅝")



671-AF

5"H x 2"W
(fits over ¾")



810

2¼"H x 1½"W
(fits over 1")



9541

4⅝"H x 1"W
(fits over ¾")



670-Y

6"H x 3⅞"W
(fits over ¾")



8858

5"H x 3"W
(fits over ⅝")



9-XS-3/4

4¼"H x 1¼"W
(fits over ¾")



9-Z

8"H x 2⅝"W
(fits over 1")



9555 (SF)

3"H x 3"W



9050 (SF)

3⅝"H x 3⅝"W



681 (SF)

4"H x 4"W



9051 (SF)

1⅞"H x 1⅞"W

Circles

□ ½" steel tube



SR-412

4½"OD (steel)



SR-4

4"OD (steel)

Caps



9807

1½"H
cap fits over 2" □



805

1"H
cap fits over 1" □

808

1½"H
cap fits over 3" □

9808

2¼"H
cap fits over 3" □

806

1"H
cap fits over 1½" □

809

1½"H
cap fits over 4" □

9809

2¾"H
cap fits over 4" □

807

1¼"H
cap fits over 2" □

811

1½"H
cap fits over 6" □



657-XS
2¼"H x 1¼"W



657-X
3½"H x 2¼"W



657-S
5½"H x 2½"W



657-M
7¾"H x 3¼"W



657-L
8¾"H x 4½"W

HOLLOW
fits over
1¾"



108
2½"H x 1¼"W



109
2¾"H x 1¼"W



110
2¾"H x 2"W



118
3¾"H x 2½"W



121
4¼"H x 3"W



120
4¾"H x 3½"W

Universal Gate Latch



UGL
heavy duty
1½"H x 5"W x 2"D



HDSB
heavy duty slide bolt
3¾"H x 5½"W x 1¼"D



8611
¾"H plug fits in 2" □

8613
⅞"H 11 ga plug fits in 1½" □

8615
⅝"H 14 ga plug fits in 1½" □

Plugs



119
5½"H x 4¾"W



816
7½"H x 6½"W

Square steel block hinges

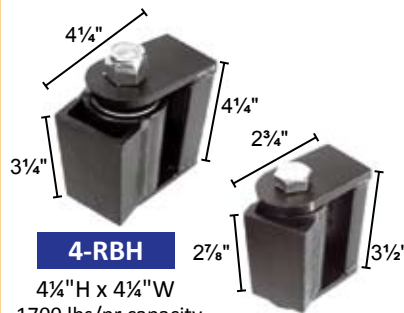


4-SBH 400 lbs/pr capacity
1¼" gate clearance
½" stainless steel pin
4"H x 1"W

6-SBH 600 lbs/pr capacity
2" gate clearance
¾" stainless steel pin
6"H x 1½"W x 1½"D

8-SBH 1200 lbs/pr capacity
2½" gate clearance
¾" stainless steel pin
8"H x 2"W x 2"D

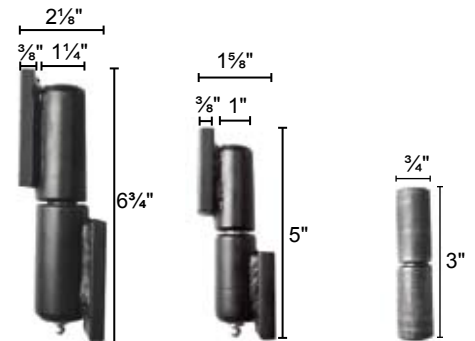
Roller bearing hinges



4-RBH 4¼"H x 4¼"W
1700 lbs/pr capacity
2¼" barrel diameter

3-RBH 3½"H x 2¾"W
1400 lbs/pr capacity
1½" barrel diameter

Barrel hinges



7-BH 7"H x 2⅝"W
900 lbs/pr capacity

5-BH 5"H x 1⅝"W
600 lbs/pr capacity

3-BH 3"H x ¾"W
50 lbs/pr capacity

Adjustable barrel hinges



5-JBH
5¼"H x 3¼"W

⅝" x 4⅜" steel J-bolt
2¾"H weld mount
500 lbs/pr capacity



7-JBH
8"H x 4¾"W
¾" x 6¾" steel J-bolt
3¾"H weld mount
900 lbs/pr capacity

For full range of
Lawler Products go to
www.archirondesign.com/lawler

Shoes, Collars and Flanges

fits over 1/2 inch

8527 1 1/8"H x 1 1/8"W
9503 7/8"H x 1 1/2"W
8524 1"H x 1 1/4"W
8525 2"H x 1 1/4"W
EE 7/8"H x 2 3/8"W

fits over 9/16 inch

8524-N 1"H x 1 1/4"W
8525-N 2"H x 1 1/4"W

fits over 5/8 inch

8524-H 1"H x 1 1/4"W
8525-H 2"H x 1 1/4"W
EE-5/8 1"H x 2 1/2"W

fits over 3/4 inch

9534 1"H x 3"W
9508 1 1/4"H x 1 1/8"W

9506 1 3/4"H x 2 3/8"W (fits over 1 1/4")
9550 2"H x 3 3/4"W (fits over 1 1/2")

fits over 1 inch

AA 1"H x 3"W
BB 1 3/8"H x 3 3/4"W
CC 2"H x 3 3/8"W
9504 1 1/8"H x 2"W
9501-CI 1"H x 2 1/4"W Cast Iron

8607 2 1/2"H x 7 3/8"W (fits over 2 1/2")
8398 5 1/2"H x 6 3/8"W (fits over 4")

Collars and Bases

683 2"H x 1 3/4"W fits over 1/2"
683-H 2"H x 1 1/8"W fits over 5/8"
683-Y 2"H x 2"W fits over 3/4"
683-Z 2 1/2"H x 2 1/2"W fits over 1"

8514 2"H x 2 1/8"W fits over 1/2"

Handrail brackets and clips

1001 3 3/4"H x 3"W steel bracket Extends 5/8" x 7/8" Hole 5/16" Dia
1003 3 3/8"H x 2 7/8"W steel bracket Extends 7/8" x 7/8" Hole 3/8" Dia
653 2 7/8"H x 1 3/16"W for 1" channel cast iron
654 3 3/4"H x 2 1/4"W for 1 3/4" molding and 1" channel
3-A 2 3/4"H x 2 1/2"W (flat top) cast iron Extends 2 1/4"
3-B 3 1/2"H x 2 3/4"W (flat top) cast iron Extends 2 7/8"
3-HRB 4"H x 3 3/4"W (round top) cast iron Extends 3 1/4"
1002 2"H x 1"W steel bracket Extends 5/8" x 7/8" Lg Slot 1/4" x 7/8" Sm Slot 1/4" x 1/2"